

Variable Valve

One-inch female valve



The Variable Valve is a female valve designed to offer variable spray controls. It is suitable for applications in the personal care and technical market segments.

For use with LINDAL's 3125 actuator.

Product features:

- ✔ Ideal for variable spray control applications
- ✔ Variable spray rate (low, medium, high)
- ✔ Continuous spray



More info:

Visit: www.lindalgroup.com

Email: products@lindalgroup.com

Contact: Your local sales consultant



Your Innovation Partner

Variable Valve

Technical details
One-inch female valve

① Mounting cup

Tinplate

- With or without dimples
- Epoxy lacquer
- Polypropylene laminated

② Outer Gasket

Buna

③ Inner Gasket

Neoprene, Buna, Butyl

④ Valve seat

Polyamide

- Unique design to allow variable flow rate

⑤ Spring

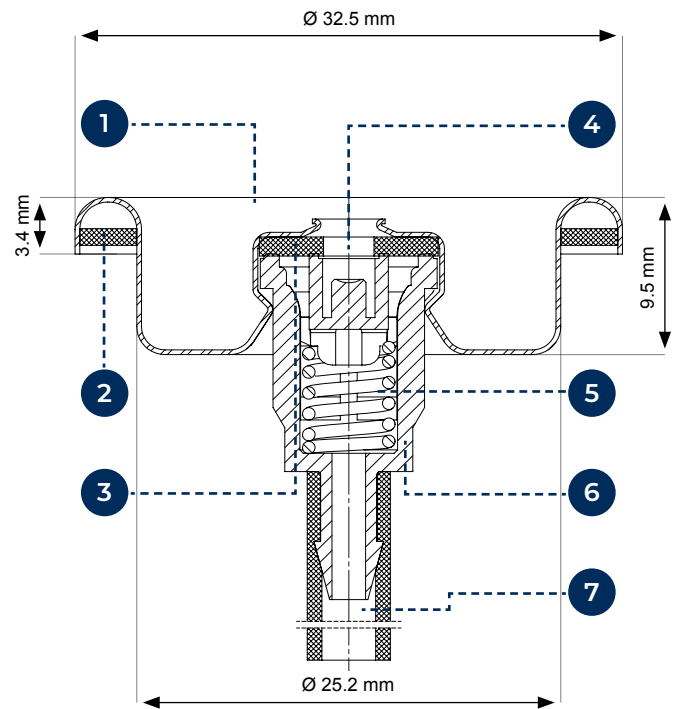
Stainless steel

⑥ Housing

Polyamide

⑦ Diptube

Polyethylene



* Dimensions are subject to standard manufacturing tolerances



i Further technical information is available on request

More info:

Visit: www.lindalgroup.com

Email: products@lindalgroup.com

Contact: Your local sales consultant



Your Innovation Partner