

950/51

Insert-less spray head with overcap



An insert-less spray head with overcap that is ideal for gel and foam applications.

Product features:

- ✔ Suitable for gel and foam applications
- ✔ Matt finish actuator with matt or gloss over cap (C835 or C950)
- ✔ Compatible with LINDAL's RT valve and female Bag-on-valve (BOV)



More info:

Visit: www.lindalgroup.com

Email: products@lindalgroup.com

Contact: Your local sales consultant

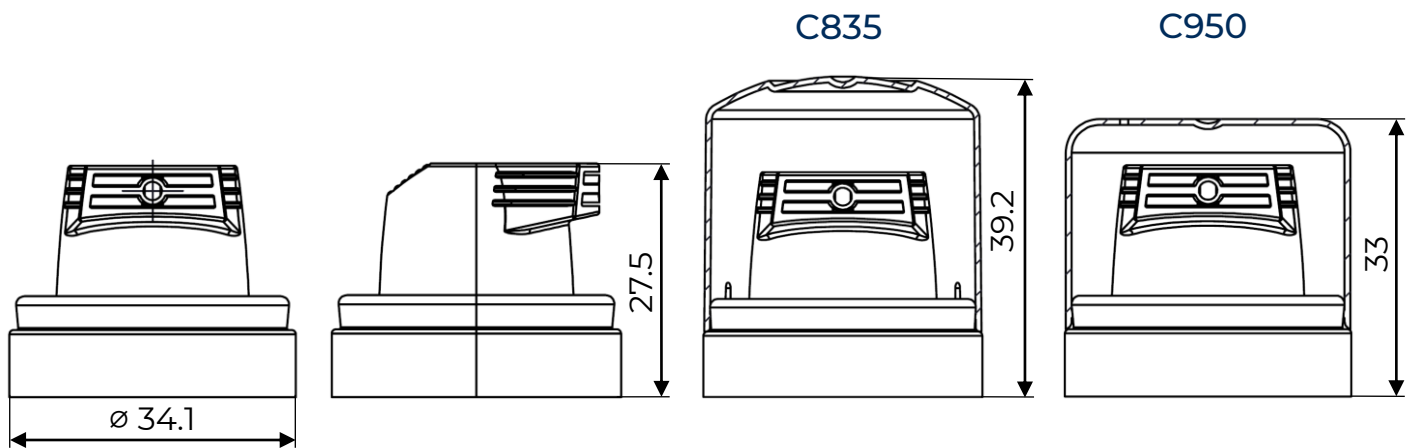


Your Innovation Partner

Available configurations

- ✔ Suitable for gel and foam applications
- ✔ Compatible with LINDAL's RT valve and female Bag-on-valve (BOV)

Technical details



Compatible valves	RT, female BOV	Suitable cans	Aluminium Tinplate
Stem Ø	N/A	Available overcaps	C835 C950
Available insert	N/A		
Skirt size	N/A		

i Further technical information is available on request

Product packaging

- ✔ 1,800 / 2,500 units per box
- ✔ 16 / 20 boxes per euro pallet
- ✔ 28,800 / 50,000 units per pallet

More info:

Visit: www.lindalgroup.com

Email: products@lindalgroup.com

Contact: Your local sales consultant



Your Innovation Partner