

Glide

HDV actuator LR Nozzle

Product features and customer benefits



This high delivery valve actuator has been specifically designed for use on our LinRoc and BOC systems and fits on the stem of the A6000 valve.

One hand operated actuator, easy to clean, allowing accurate dispensing of high viscous formulations.

Product features:

- ✔ Use in combination with A6000 valve
- ✔ Suitable for silicones & adhesives
- ✔ Supplied with an over cap to protect the valve
- ✔ Ideal to access difficult areas
- ✔ Removable applicator
- ✔ 360° usability when used with Linroc or BOC



More info:

Visit: www.lindalgroup.com

Email: products@lindalgroup.com

Contact: Your local sales consultant



Your Innovation Partner

Accessories

Nozzle



Overcap and trigger

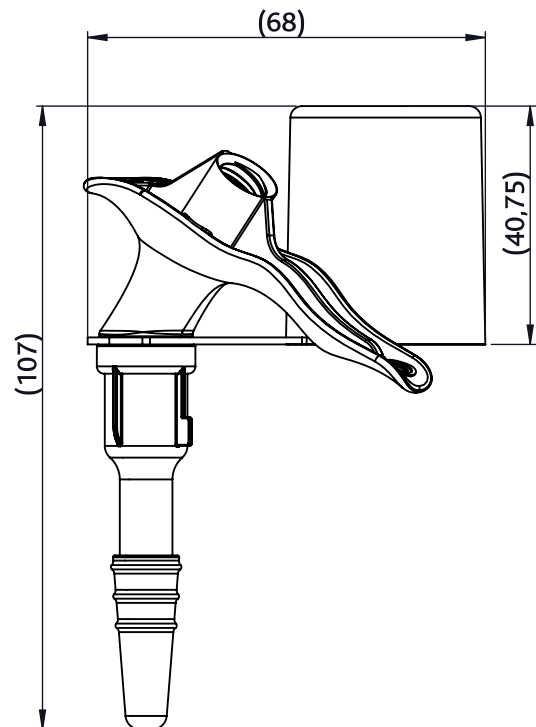


Available configuration

- ✔ Compatible with A6000 valve type

Technical details

Compatible valves	A6000
Stem \varnothing	7mm
Suitable cans	Aluminium, Tinplate, PET
Overcap	Included



- i** Further technical information is available on request

More info:

Visit: www.lindalgroup.com

Email: products@lindalgroup.com

Contact: Your local sales consultant



Your Innovation Partner