

M75

Foam button actuator



One-piece button actuator, ideal for foam applications, offering simple, efficient dispensing in a compact design.

Product features:

- ✔ Designed for foam applications
- ✔ Gloss finish
- ✔ Compatible with LI98, LIB, and male BOV valves



More info:

Visit: www.lindalgroup.com

Email: products@lindalgroup.com

Contact: Your local sales consultant

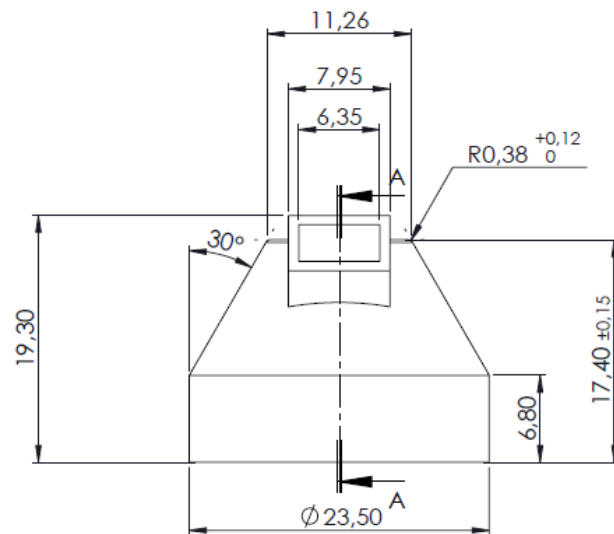
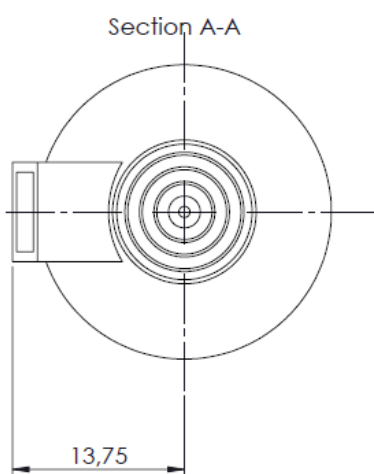


Your Innovation Partner

Available configurations

- ✔ Compatible with LI98, LIB, and male BOV valves
- ✔ Designed for foam applications

Technical details



Compatible valves	LI98, LIB, male BOV	Suitable cans	Aluminium Tinplate
Stem ϕ	4mm	Available overcap	N/A
Available insert	N/A		
Skirt size	N/A		

i Further technical information is available on request

Product packaging

- ✔ 8,000 units per box
- ✔ 20 boxes per euro pallet
- ✔ 160,000 units per pallet

More info:

Visit: www.lindalgroup.com

Email: products@lindalgroup.com

Contact: Your local sales consultant



Your Innovation Partner